

Wireless BackboneLINK-II

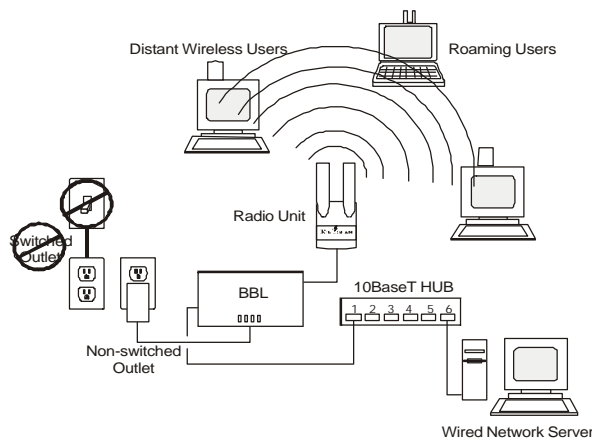
Model RMG-218

The Wireless BackboneLINK-II™ from RadioLAN Marketing Group (RMG) is a stand-alone access point that bridges indoor wireless traffic onto an existing 10BaseT network at full Ethernet speed. The BackboneLINK-II is suitably designed for enterprise networks, where reliability counts. And at 10 Mbps, this unit is faster, smaller, less expensive, and easier to install and manage than any other WLAN access point available.



The BackboneLINK-II is a full-featured translational bridge offering spanning tree, filtering and comprehensive management tools. With RMG's web-based bridge management software, the BackboneLINK-II is simple to install and a snap to manage. It uses standard Internet protocols and can be reached anywhere on the network. This makes web-based software updates as simple as surfing the net. With it's Flash technology it is easily upgradable.

With RadioLAN's BackboneLINK-II, wireless networks can be created which scale to any size just by adding new BackboneLINK-II's to your Ethernet segment as you go. Up to 128 users can be active on each BackboneLINK-II at any given time. The BackboneLINK-II's wireless operating system, 10BaseRadio, lets portable computer users roam freely between the wireless segments, providing seamless network connectivity without sacrificing speed. Information is instantly available to everyone on the network.



Features

- Bridges RMG wireless and Ethernet wired LAN segments
- True 10 Mbps data rate
8.1 Mbps throughput (typical)
- Plug and play in Ethernet hubs, bridges, switches, and routers
- Provides client connectivity for any 10BaseT device (computers, printers, web cams, etc.)
- Supports up to 128 simultaneous active connections
- Seamless roaming provided for wireless users
- Intra-cell relay support
- Web browser and serial console port for management and configuration
- SNMP support with traps
- No FCC license required
- Optional 128-bit Encryption available



RadioLAN
Marketing Group

www.radiolan.com

The BackboneLINK-II includes a compact stand-alone access unit, a cable-attached radio transceiver and all of the bridging software necessary to connect to a wired network. It can connect to any 10BaseT device with an RJ-45 connector, and its compact size makes it versatile enough to place in almost any location. Whether you are building on to an existing backbone or creating large wireless network, the BackboneLINK-II performs just like a 10BaseT hub- but without wires.

RadioLAN/10™ System

Model Numbers	RMG-218 - BackboneLINK-II (N America), RMG-218z (International)
Interoperable Model Numbers	RMG-140 - MobiLINK PCMCIA card; RMG-150 - PCI CardLINK (for desktops)
Frequency	5.8 GHz, ISM band (unlicensed), U-NII band (unlicensed)
Technology	Narrow band microwave transmission
Throughput	10 Mbps
Range	Up to 120' radius (indoor), 300' radius (open environments) Will cover approx. 10,000 to 12,000 square feet
Maximum number of stations	128 active wireless stations per BackboneLINK
Security	2 level network access control, optional encryption
Topology	Peer-to-peer or Client/Server-Star Configuration with intra-cell relay support
Warranty	1 Year
Min. computer requirements	386 or faster with 4MB RAM

BackboneLINK-II Processor Unit

Media Access Protocol	CSMA/CD for Ethernet, CSMA/CA for wireless
Ethernet Interface	802.3 with RJ-45 jack, auto-sensing (MDX/MDIX and 10/100)
LEDs	Power, Link (Ethernet/Radio), Fault (Troubleshooting)
Dimensions	7.375" x 5.9375" x 1.5625" (187mm x 151mm x 40mm)
Weight	19.52 oz. (553 g)
Input Power - BL218	External 10V (AC), .8 amps @110V
BL218z	External 10V (AC), .8 amps @ 110V or .4 amp @ 220V
Processor	Motorola Power PC 860 @ 50 MHz
Non-Volatile RAM	2 Mb
Serial Port	RS-232 (D-Shell Connector)

Radio Transceiver Unit

Transmission power	50mW peak per station
Dimensions	6.375" x 2.5" x 1.125" (163mm x 64mm x 29mm)
Weight	7.4 oz (206g)
Antenna	2 omni-directional antennas with diversity
LED	Connectivity indicator
Cable Length	8'6" (2.59m)

Software

Wireless operating system	10BaseRadio™
Management	RadioNET™ Backbone Manager (web-based), SNMP MIB II
Configuration	Serial port, RadioNET Backbone Manager, IP Assign

Environmental

Temperature	0° - 60° C
Relative humidity	85% Maximum
Approvals	FCC Part 15.249 (ISM)
Standards Compliance	802.3, HTTP, RFC 768, 783, 906, 791 & 1541



Corporate Headquarters:

185 Lewis Road - Suite 30 Phone: 408-365-6200
San Jose, CA 95111 Fax: 408-365-7675

